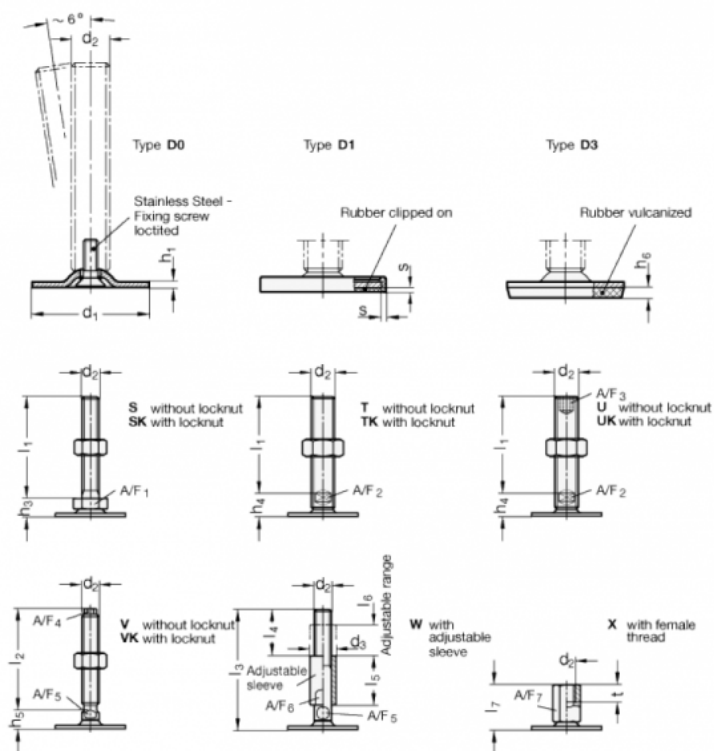


Article number: 204160M16150D1TK  
 Description: E+G levelling foot  
 GN 41-60-M16-150-D1-TK  
 Note: TK With nut, Wrench flat at the bottom

## Measures



A/F2 = 12  
 $d_1$  = 60  
 $d_2$  = M16  
 $h_1$  = 2.5  
 $h_4$  = 17  
 $h_6$  =  
 $h_7$  = 150  
 $s$  = 2